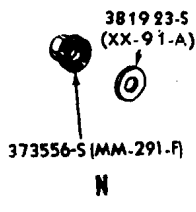
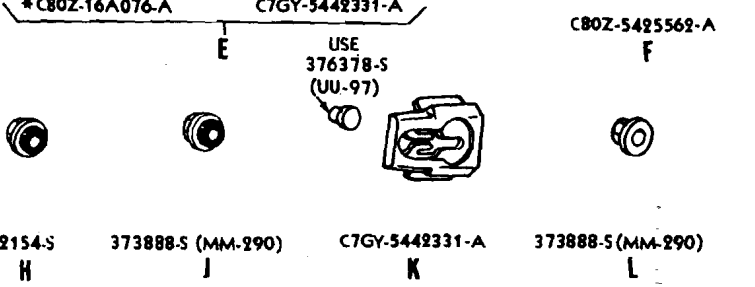
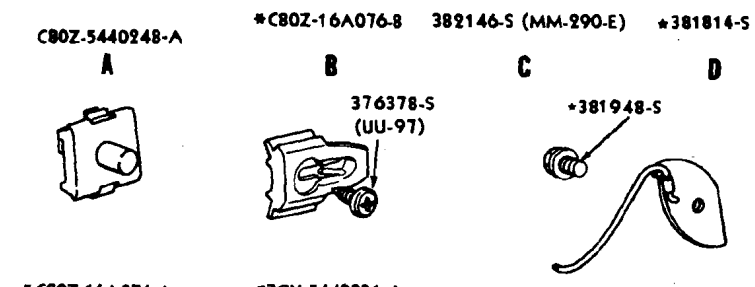
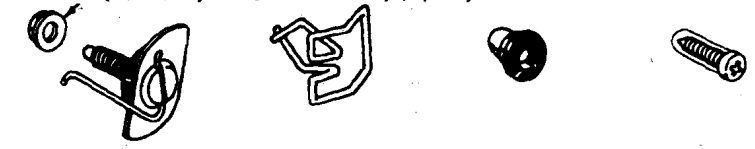
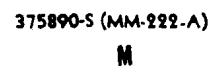
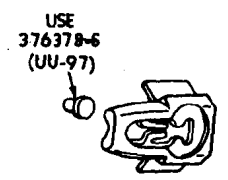
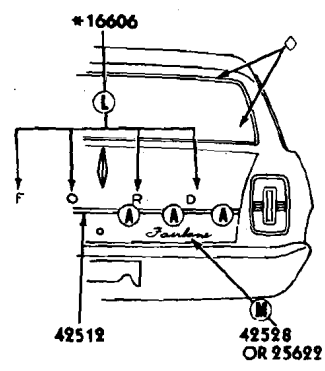
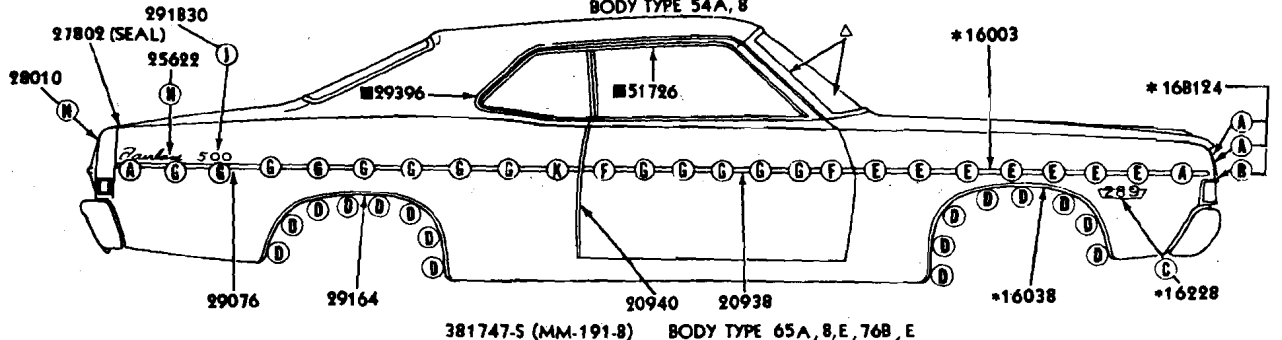
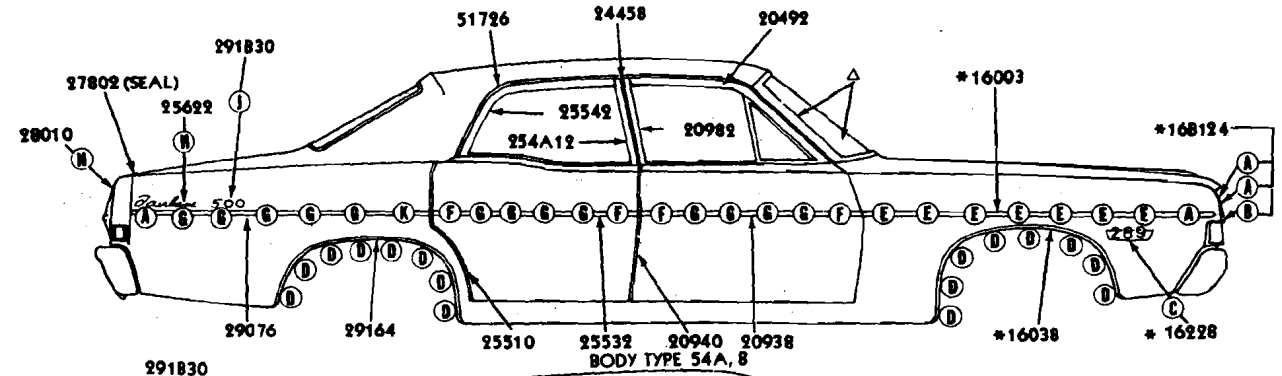


**1968
FORD
FAIRLANE
TORINO
RANCHERO
MOULDING & CLIP
IDENTIFICATION
PART NUMBER
&
LOCATION
MANUAL**

FAIRLANE / TORINO

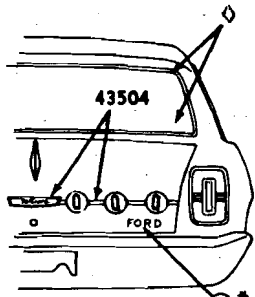
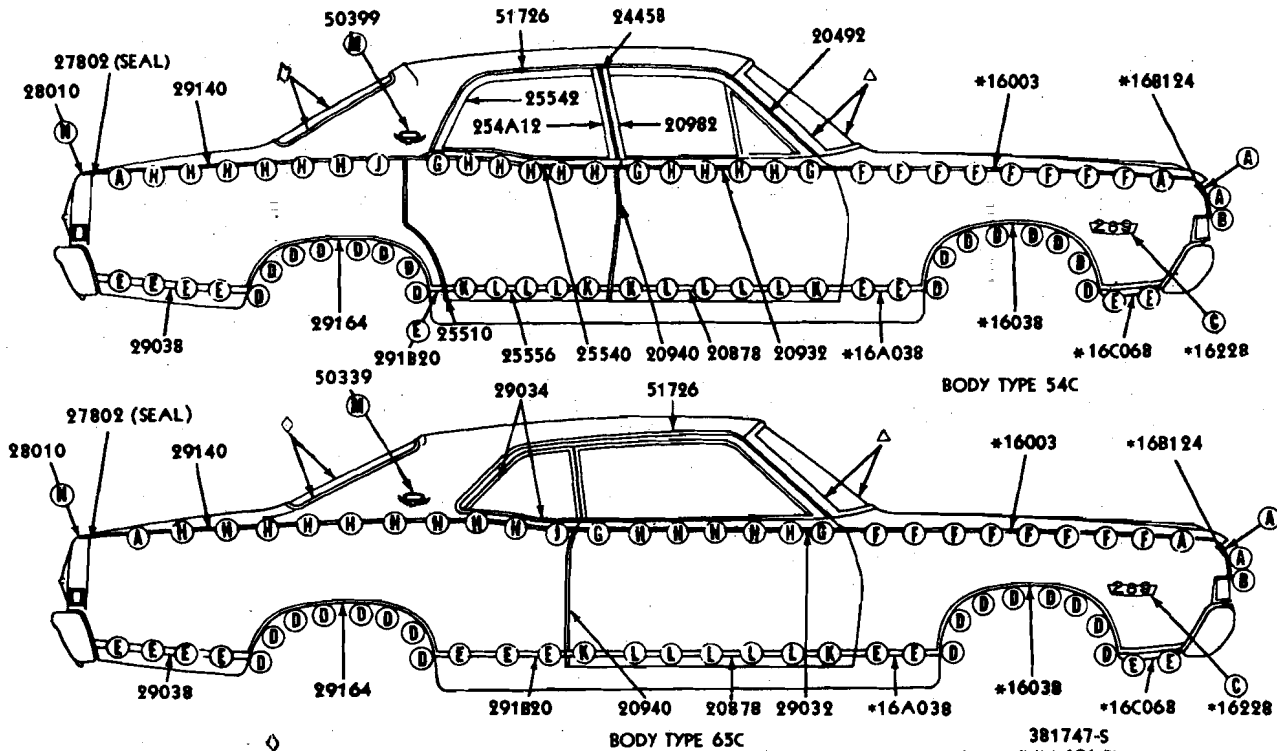
BODY MOULDINGS



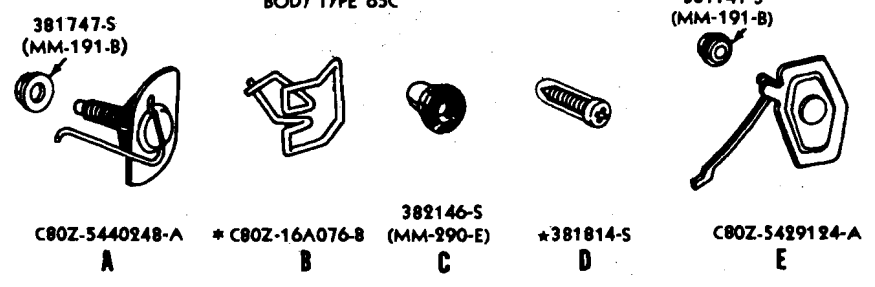
*REFER TO GROUP IN CHASSIS SECTION
 ▲REFER TO BODY ILLUSTRATION SECTION 030
 ◊REFER TO BODY ILLUSTRATION SECTION 400

FAIRLANE / TORINO

BODY MOULDINGS



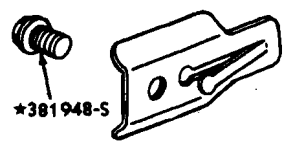
P *16606 (EACH LETTER)



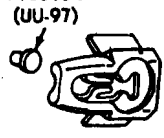
381747-S (MM-191-B)
 C80Z-5440248-A
 A
 *C80Z-16A076-B
 B
 382146-S (MM-290-E)
 C
 *381814-S
 D
 381747-S (MM-191-B)
 C80Z-5429124-A
 E



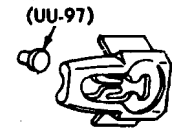
C6DZ-6229120-A
 F



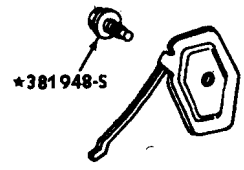
*381948-S
 C80Z-5420884-A
 G



USE 376378-S (UU-97)
 C6DZ-54254A46-A
 H



USE 376378-S (UU-97)
 C7DZ-6229144-A
 J



*381948-S
 C80Z-5421094-A
 K



USE 376387-S (UU-97)
 C7DZ-6220880-A
 L



375890-S (MM-222-A)
 M



381923-S (XX-91-A)
 373556-S (88-291-F)
 N



378362-S (MM-228)
 P

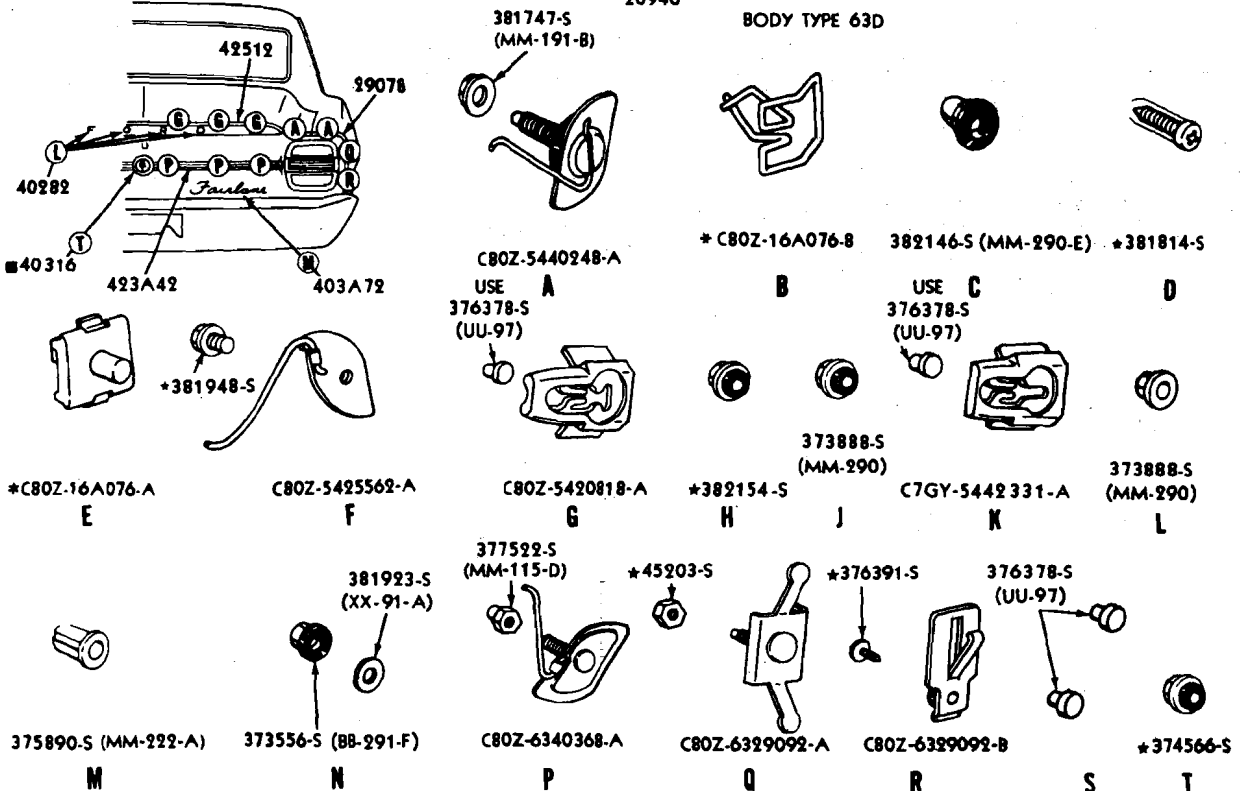
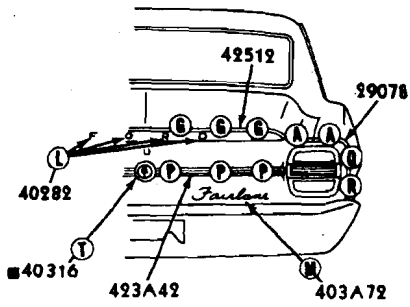
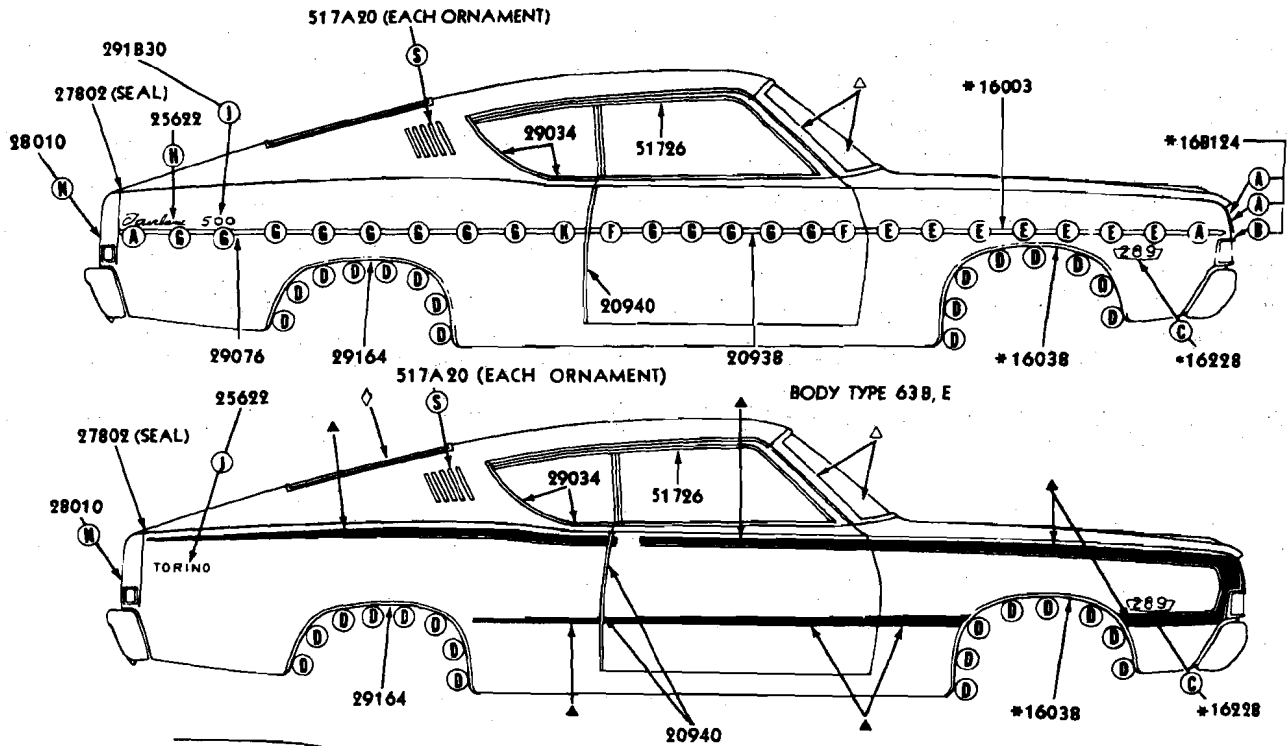


*374566-S
 Q

* REFER TO GROUP IN CHASSIS SECTION
 Δ REFER TO BODY ILLUSTRATION SECTION 030
 ◇ REFER TO BODY ILLUSTRATION SECTION 400

FAIRLANE / TORINO

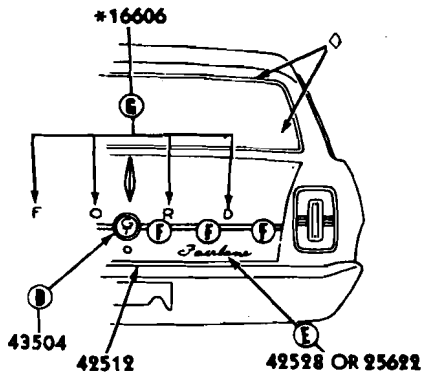
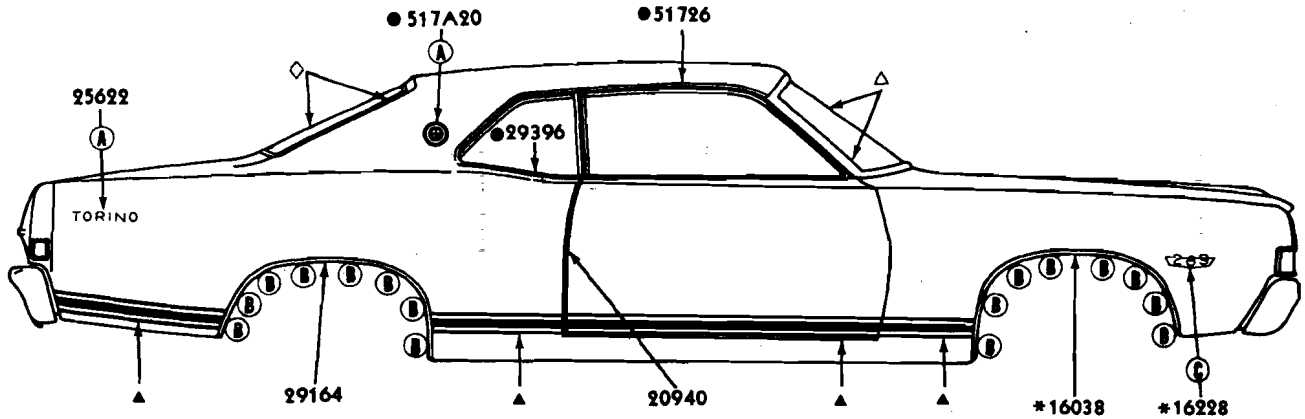
BODY MOULDINGS



*REFER TO GROUP IN CHASSIS SECTION
 ΔREFER TO BODY ILLUSTRATION SECTION 030
 ◊REFER TO BODY ILLUSTRATION SECTION 400

FAIRLANE / TORINO

BODY MOULDINGS



373888-S (MM-290)

A



*381814-S

B



382146-S (MM-290-E)

C



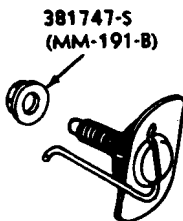
*374566-S

D



375890-S (MM-222-A)

E



381747-S
(MM-191-B)

C80Z-5440248-A

F



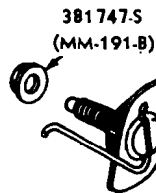
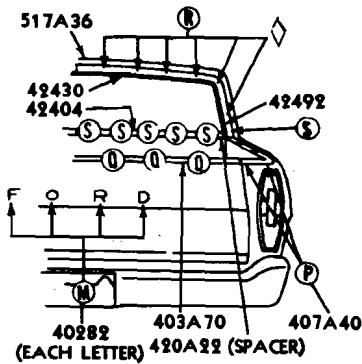
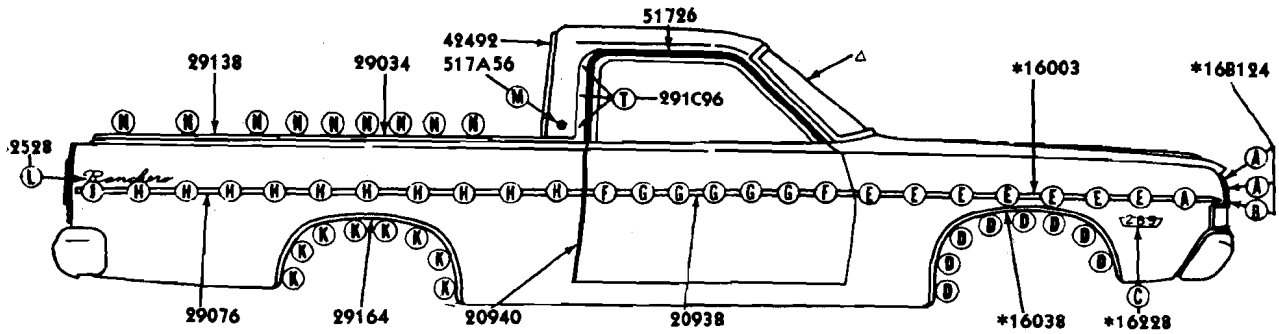
373888-S (MM-290)

G

- BODY TYPE 65D
- * REFER TO GROUP IN CHASSIS SECTION
- △ REFER TO BODY ILLUSTRATION SECTION 030
- ◇ REFER TO BODY ILLUSTRATION SECTION 400
- ▲ SUPPLIED IN BASIC KIT 20000-1

FAIRLANE / TORINO

BODY MOULDINGS



381747-S
(MM-191-B)



C80Z-5440248-A



382146-S (MM-290-E)



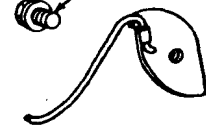
*381814-S



*C80Z-16A076-A



C7GY-5442331-A



C80B-5425562-A

USE
376378-S
(UU-97)



C80Z-5420818-A

G

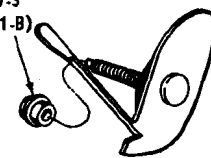
USE
376378-S
(UU-97)



C7GY-5442331-A

H

381747-S
(MM-191-B)



C8MY-71407A12-A

J



381671-S (UU-89-C)

K



378362-S
(MM-228)

L



375890-S
(MM-222-A)

M



*55978-S

N



376378-S (UU-97)

P



*55974-S

Q

USE
376378-S
(UU-97)



C5ZZ-6542413-A

R

381500-S (SS-48)



C8AZ-6342413-A

S



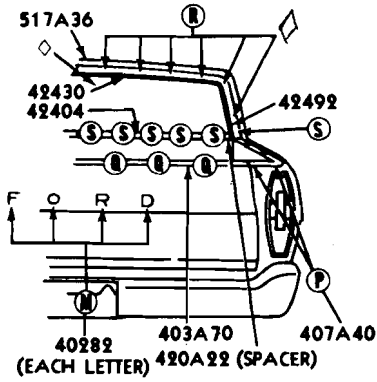
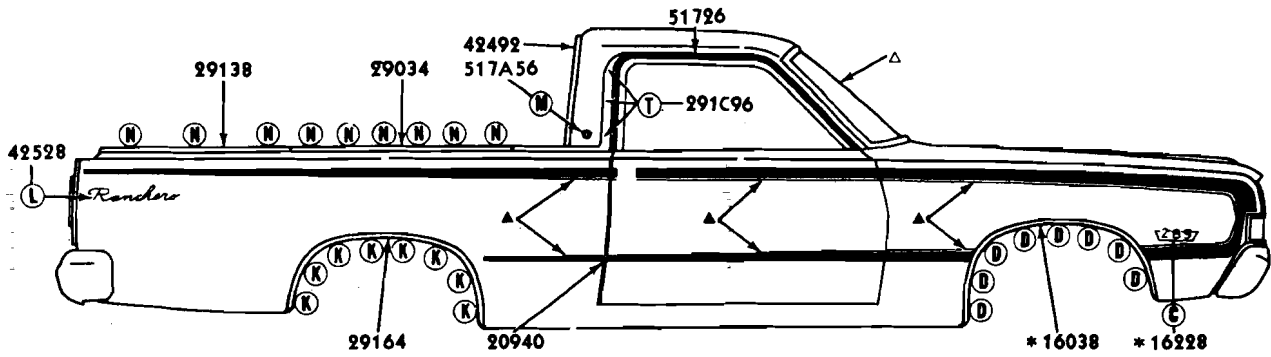
*382110-S

T

* REFER TO GROUP IN CHASSIS SECTION
 △ REFER TO BODY ILLUSTRATION SECTION 030
 ◇ REFER TO BODY ILLUSTRATION SECTION 400

FAIRLANE / TORINO

BODY MOULDINGS



382146-S (MM-290-E)
C



*381814-S
D



381671-S (UU-89-C)
K



378362-S (MM-228)
L



375890-S (MM-222-A)
M



*55978
N



376378-S (UU-97)
P



*55974-S
Q

USE
376378-S
(UU-97)



C5ZZ-6542413-A
R



381500-S (SS-48)
C8AZ-6342413-A
S



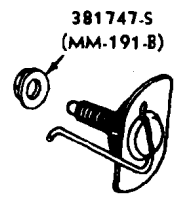
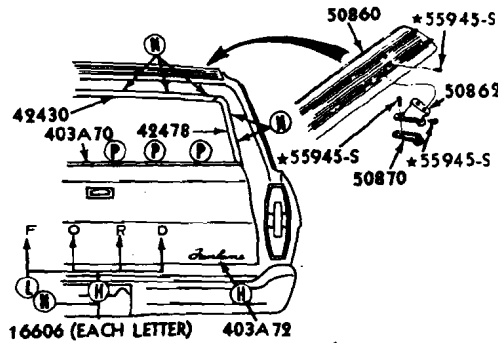
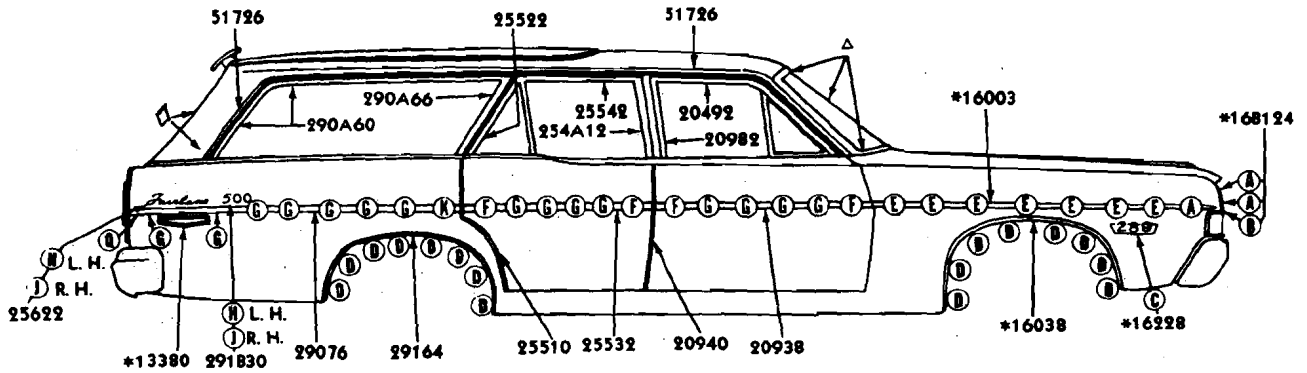
*382110-S
T

* REFER TO GROUP IN CHASSIS SECTION
 △ REFER TO BODY ILLUSTRATION SECTION 030
 ◇ REFER TO BODY ILLUSTRATION SECTION 400

▲ SERVICED IN 20000-1 KIT

FAIRLANE / TORINO

BODY MOULDINGS



381747-S (MM-191-B)
C80Z-5440248-A
A



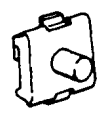
*C80Z-16A076-B
B



382146-S (MM-290-E)
C



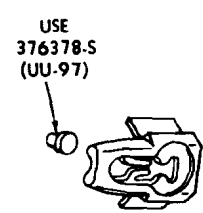
*387814-S
D



*C80Z-16A076-A OR C7GY-5442331-A
E



376378-S (UU-97)
*381948-S
C80Z-5425562-A
F



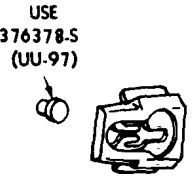
USE 376378-S (UU-97)
C80Z-5420818-A
G



375890-S (MM-222-A)
H



373888-S (MM-290)
J



USE 376378-S (UU-97)
C7GY-5442331-A
K



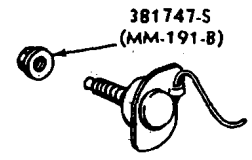
378362-S (MM-228)
L



376378-S (UU-97)
N



*381997-S
P

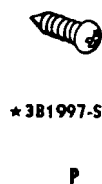
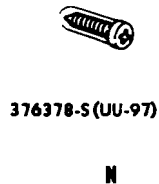
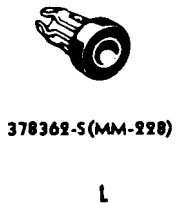
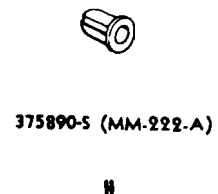
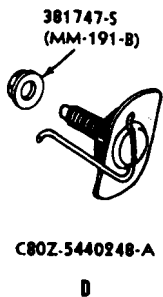
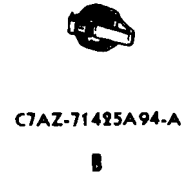
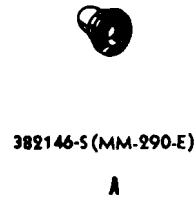
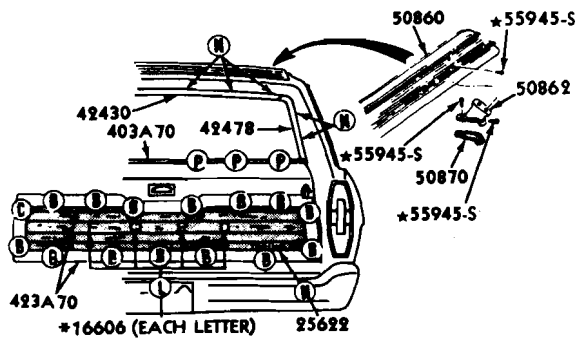
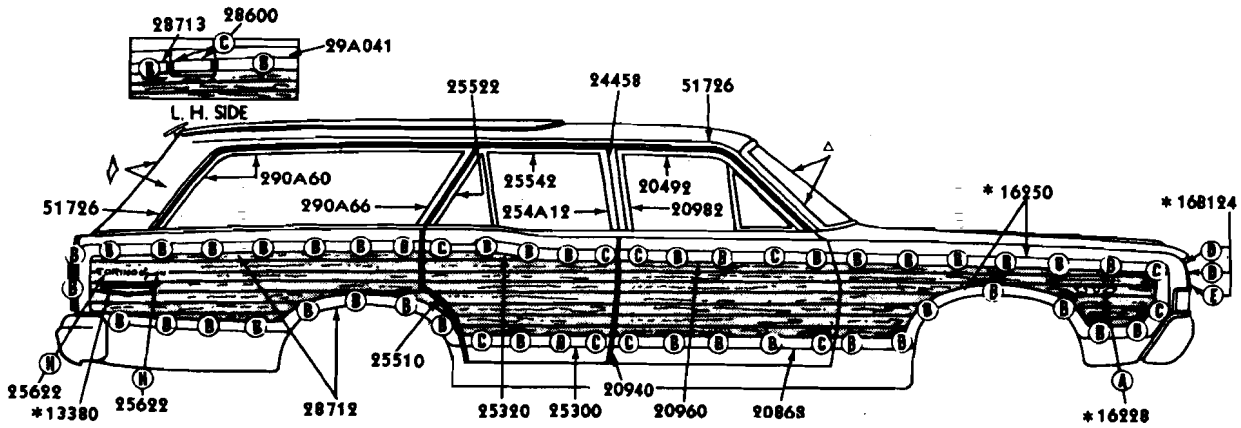


381747-S (MM-191-B)
C8AZ-6240248-A
Q

* REFER TO GROUP IN CHASSIS SECTION
△ REFER TO BODY ILLUSTRATION SECTION 030
◇ REFER TO BODY ILLUSTRATION SECTION 400

FAIRLANE / TORINO

BODY MOULDINGS



* REFER TO GROUP IN CHASSIS SECTION
 △ REFER TO BODY ILLUSTRATION SECTION 030
 ◇ REFER TO BODY ILLUSTRATION SECTION 400

WALNUT GRAIN TRANSFER WITH BLACK PLANKING LINES
 C80Z-7120748-B (PRESSURE SENSITIVE TYPE)